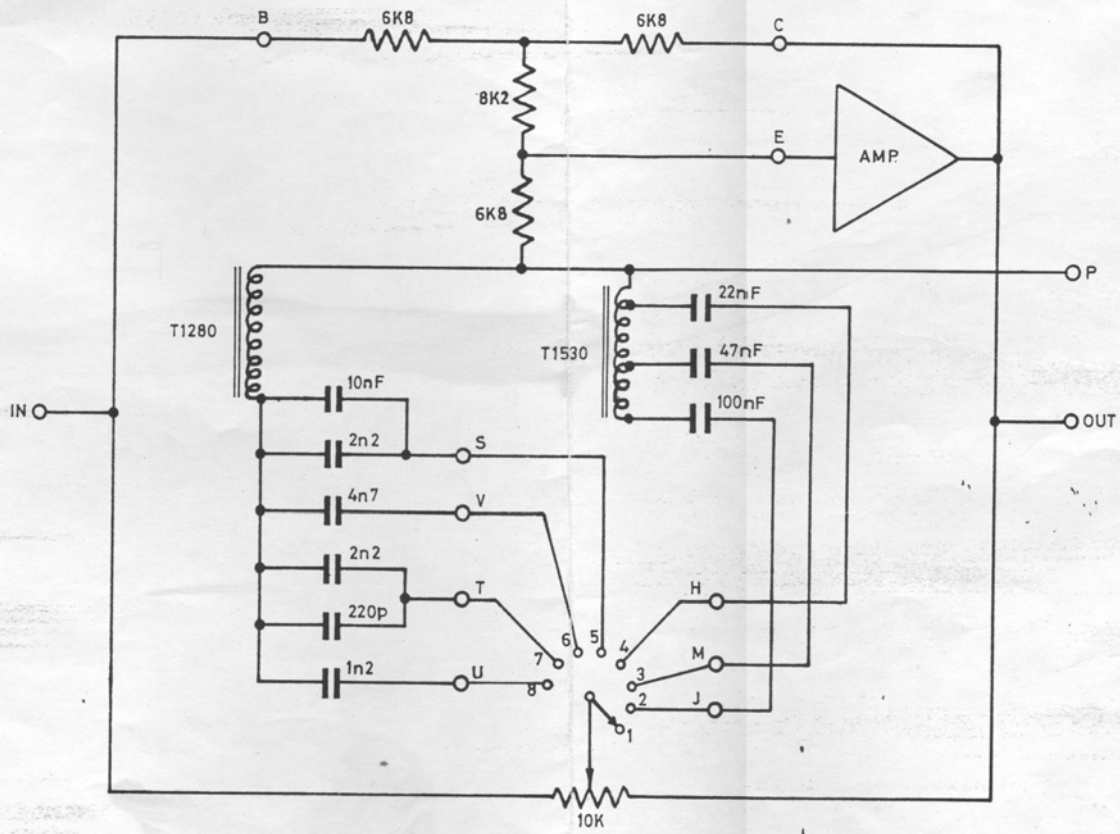


BA211/A


D/10,048/A



- SW. POSNS.
- 1. OFF
  - 2. 0.36 KHz
  - 3. 0.7 KHz
  - 4. 1.6 KHz
  - 5. 3.2 KHz
  - 6. 4.8 KHz
  - 7. 7.2 KHz
  - 8. 100KHz

NOTE:  
THIS BOARD IS IDENTICAL TO THE BA211,  
WITH ADDITION OF A WIRE LINK TO PIN P

Contributed by TerranceDwyer.com

 The Neve Group of Companies  
TITLE BA211/A

This drawing is the property of this company and may not be reproduced or disclosed to a third party without the permission of this company.

3	9-5-74	10906	DATE	14/12/72	L.M.C
2	6-8-73	10741	DRAWING	NUMBER	D/10,048/A
1	15-12-72				